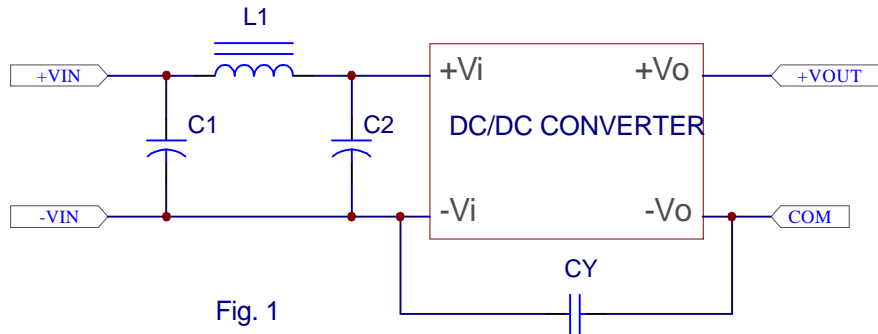
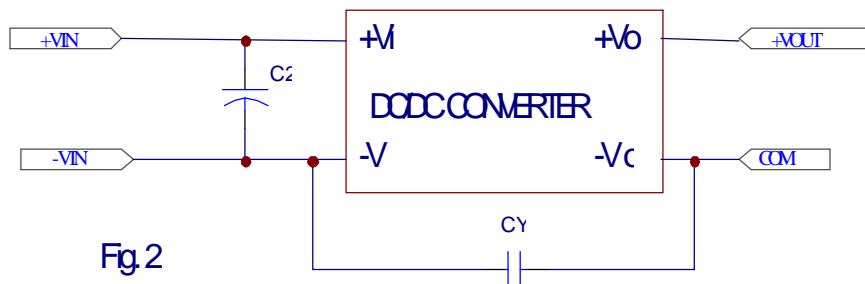


With following external filter you meet EN55022 class A or class B

1. EN55022 Class B



2. EN55022 Class A



3. Component List

| Model No. | EN55022 Class A | | EN55022 Class B | | |
|-----------|-----------------------|---------------|-----------------------|-----|----------------|
| | C2 (uF min.) | CY | C1,C2 (uF min.) | L | CY, (pF min.) |
| EW3-xx | 22uF/100V/PF,Nichicon | none | 22uF/100V/PF,Nichicon | 6uH | 1000pF/1kV/Y5P |
| EU3-xx | 22uF/100V/PF,Nichicon | none | 22uF/100V/PF,Nichicon | 6uH | 1000pF/1kV/Y5P |
| EW5-xx | 22uF/100V/PF | none | 22uF/100V/PF,Nichicon | 6uH | 680pF/1kV/Y5P |
| EU5-xx | 22uF/100V/PF | none | 22uF/100V/PF,Nichicon | 6uH | 680pF/1kV/Y5P |
| EW7.5-xx | 3.9uF/50V/Z5U | none | 3.9uF/50V/Z5U | 6uH | none |
| TP7.5-xx | 3.3uF/100V/Z5U | none | 3.3uF/100V/Z5U | 6uH | 680pF/1kV/Y5P |
| TP10-xx | 3.3uF/100V/Z5U | none | 3.3uF/100V/Z5U | 6uH | 680pF/1kV/Y5P |
| TP10W-xx | 10uF/25V/PR,Nichicon | 680pF/1kV/Y5P | 10uF/25V/PR,Nichicon | 6uH | 680pF/1kV/Y5P |
| TP15-xx | 22uF/100V/PF,Nichicon | 680pF/1kV/Y5P | 22uF/100V/PF,Nichicon | 6uH | 680pF/1kV/Y5P |
| TP15W-xx | 22uF/100V/PF,Nichicon | 680pF/1kV/Y5P | 22uF/100V/PF,Nichicon | 6uH | 680pF/1kV/Y5P |