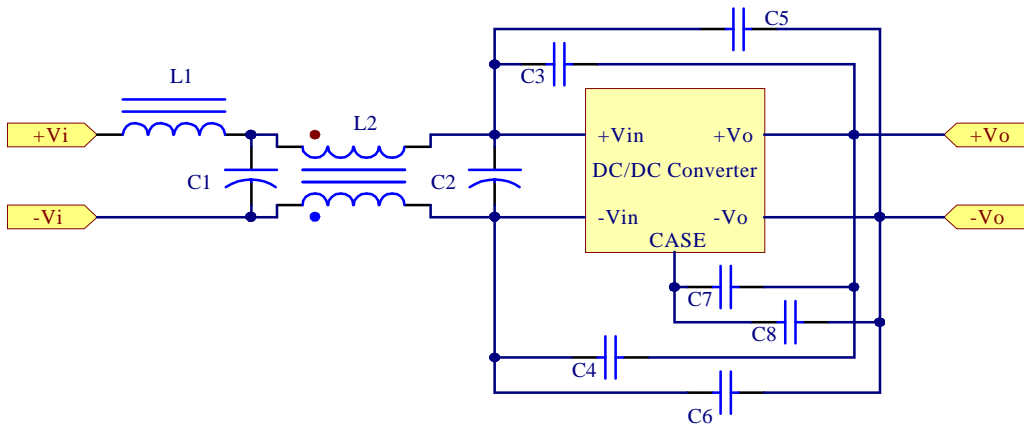


TP150W-24S12 SUGGESTION CIRCUIT FOR CONDUCTED EMI CLASS A&B



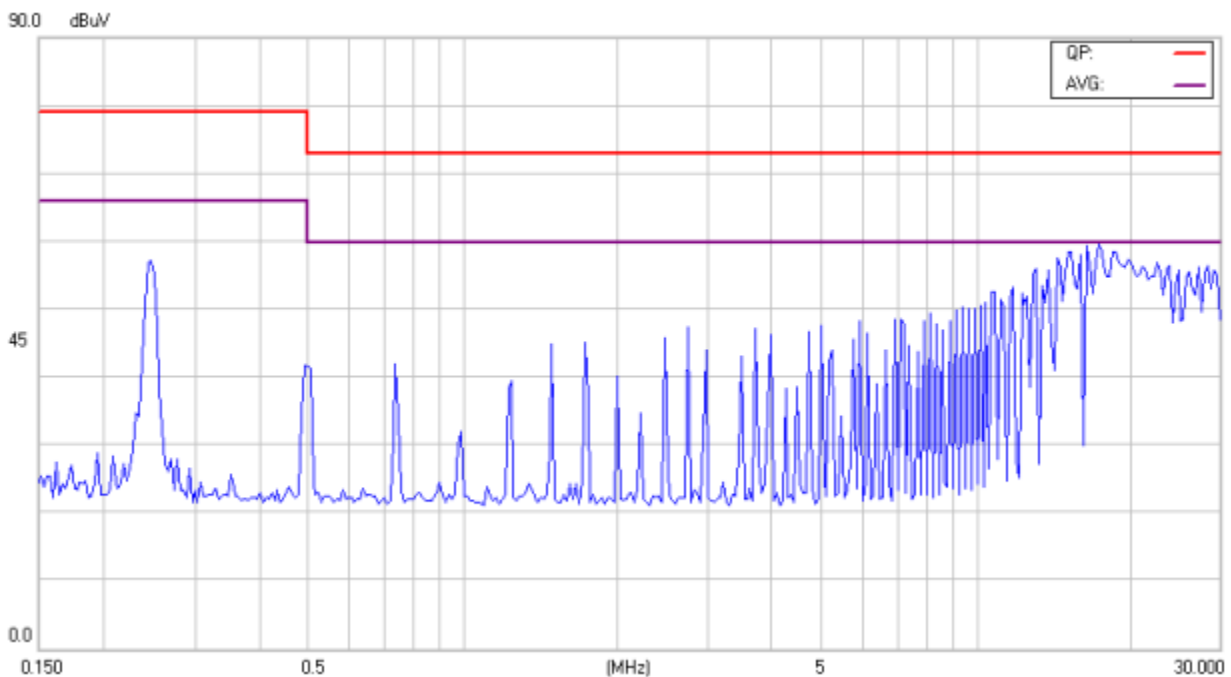
Test Condition:

I/P: 9 ~ 36VDC, O/P: Full Load (load= 0.96.)

EMI meet EN55022 class A, Conducted

C1	C2	C3~C8	L1	L2
100uF/50V KY	100uF/50V KY	NC	Short	0.5mH

Vin: 24V



EMI meet EN55022 class B, Conducted

C1	C2	C3	C4	C5~C8	L1	L2
220uF/50V KY	220uF/50V KY	680pF	680pF	NC	3uH	0.5mH

Vin = 24V

